

# ROUND ACCESSORIES

## Installation Instructions

### Important Information:

- \* Before drilling check position of towel rails and shelf to ensure the fixing plates are horizontal.
- \* To prevent drill from wandering on tiled surface it is recommended that masking tape be applied before drilling.
- \* Distance between centres of fixing plates with holes:
  - For 300mm Towel Rails :  $300 \pm 1$  mm.
  - For 600mm Towel Rails :  $600 \pm 1$  mm.
  - For 900mm Towel Rails :  $900 \pm 1$  mm.
  - For 1200mm Towel Rails :  $605 \pm 1$  mm between centers.
  - For Metal Shelf :  $400 \pm 1$  mm.
  - For Toilet Roll Holder with Shelf :  $80 \pm 1$  mm.

**Note:** Center to center holes on fixing plate for Towel Rails, Metal Shelf and Toilet Roll Holder (Fig. 1) is 24mm.  
 Centre to centre holes on fixing plate for Round Wall Hook and Round Robe Hook (Fig. 2) is 13mm.

- \* Do not use accessories for personal support.
- \* Over time, the mounting screws which are used to install the product may be affected by exposure to water, which may cause the screws to rust and loosen. You should periodically check that your accessory is fastened securely to the wall.

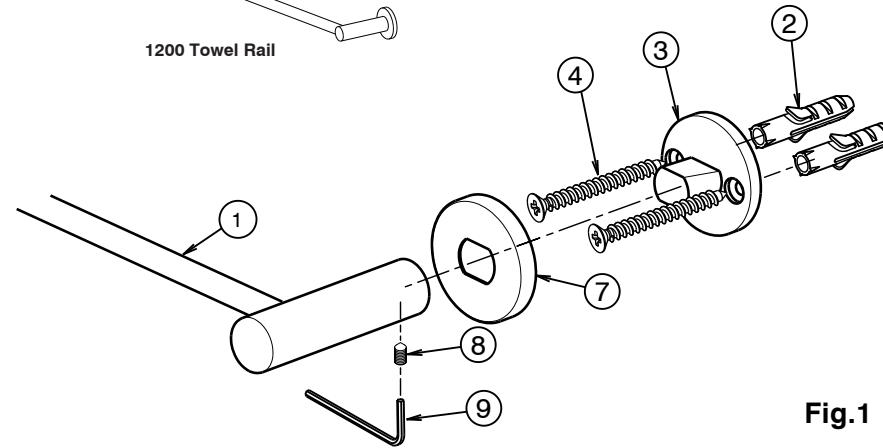
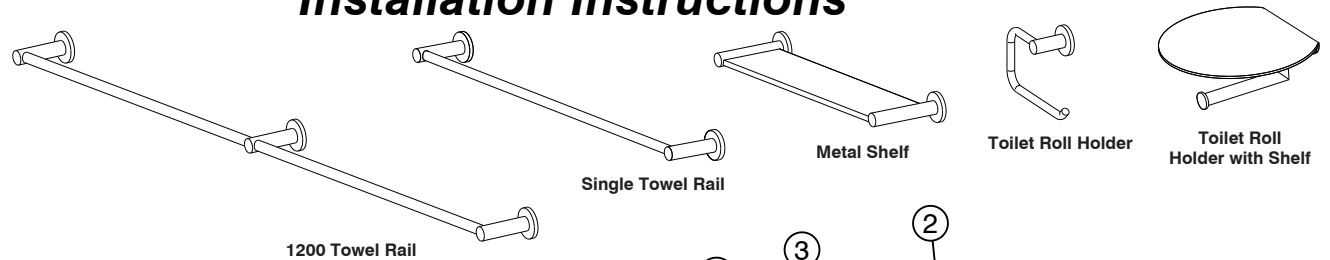


Fig.1

### Installation

#### A) 1. Brick, masonry blocks, concrete, tiled cavity walls.

- i) Drill holes 6 mm diameter, 40mm deep.
- ii) Insert rounded end of wall plugs (2) into drilled holes and push in until flush with the wall surface.
- iii) For fixing plate (3) mounts, fit screws (4) through holes in fixing plates before screwing into wall plugs (2). Ensure orientation of fixing plates is as pictured.
- iv) Check alignment of all fixing plates (3) then tighten screws (4).
- v) For Toilet Roll Holder with Shelf (Fig. 3), fit screws (4) in Countersunk washers (5) and then through holes in accessory before screwing into wall plugs (2).
- vi) Ensure shelf is level and tighten screws (4).
- vii) Cap (6) can now be attached to Countersunk washer (5).

#### 2. Untiled cavity walls.

- i) Determine a suitable position to attach fixing plates (3) and screw location so they can be fixed to a stud or noggin in the wall. Ensure correct orientation of fixing plates.
- ii) For fixing plate (3), fit screws (4) through holes and screw directly into stud or noggin. Check alignment of all fixing plates (3) before tightening screws (4).
- iii) For Toilet Roll Holder with Shelf (Fig. 3), fit screws (4) in Countersunk washers (5) then through holes in accessory before screwing into stud or noggin.
- iv) Tighten screws, Cap (6) can now be attached to Countersunk washer (5).

- B)** For fixing plate (3) mounts, loosen the fixing screws (8) on the accessory using Allen key (9) provided. Slide covers (7) (not required with hooks Fig.2) onto fixing plates (3) then install accessory (1) onto fixing plates (3), making sure that fixing screws (8) are located underneath as shown. With accessory resting securely against fixing plates (3), tighten the fixing screws (8) using Allen key (9) provided.

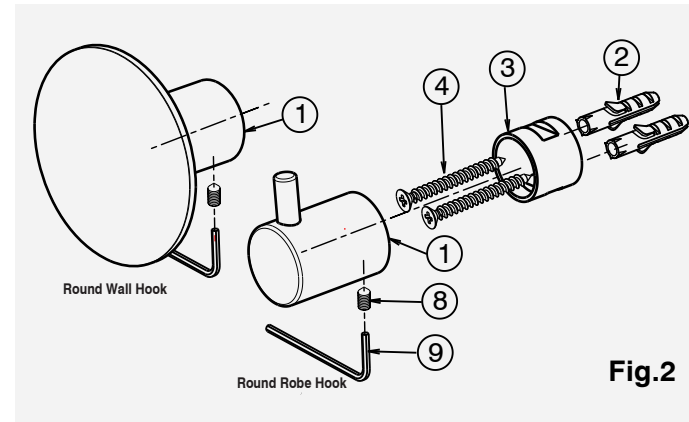


Fig.2

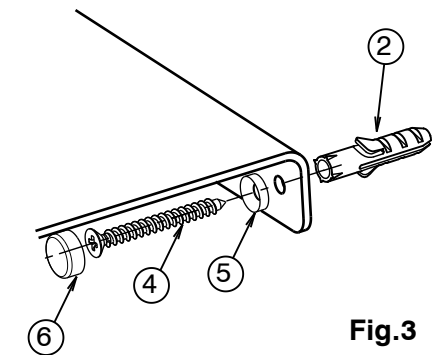


Fig.3